

MOBILE RADIOGRAPHY SYSTEM



MOBILE XP .series



Website: www.ecomax-med.com
Email: info@ecomax-med.com
Instagram: [@ecomax-med](https://www.instagram.com/ecomax-med)
Facebook: [@ecomax-med](https://www.facebook.com/ecomax-med)
Tel: +90 537 835 6679



Showroom: Oruçreis Mh.
Mahmut Pasa Cd. Giyimkent Sitesi Blok/B1 No:16
Esenler | İstanbul | Turkey
Factory: Ömerli Mh. Tunaboyu Sk. Blok/B1 No:1AD
Arnavutköy | İstanbul | Turkey



XP-300 mobile system is ,simple, economy, easy to move & light in weight. can reach any place where it is needed. , and powerful to use for every situations. is suitable for isolating the ward, especially the ICU, Emergency, Isolation area bedside X-ray imaging to avoid patient movement.

XP-300 Depending on high frequency inverter technology is heading to more premium, durable, and high imaging quality and harmony with built-in ultra capacitor bank in "Mobile XP series".is more durable and efficient compared with battery bank.

Specifications

X-ray Tube Support structure

Focal Spot Height : 1900mm

Tube Rotation : $\pm 180^\circ$

Collimator Rotation : $\pm 90^\circ$

Factor control built into the 10-inch touch screen for control and display(kV, mA, mAs, sec)

X-ray generator

Power input : 1Phs 220v 10A

Power : 20kW

Frequency : 100kHz

kVp Range: 40 to 125kV

mA Range: 30 to 300

mA mAs Range: 0.5 to 320mAs

X-ray tube

Rotating Anode

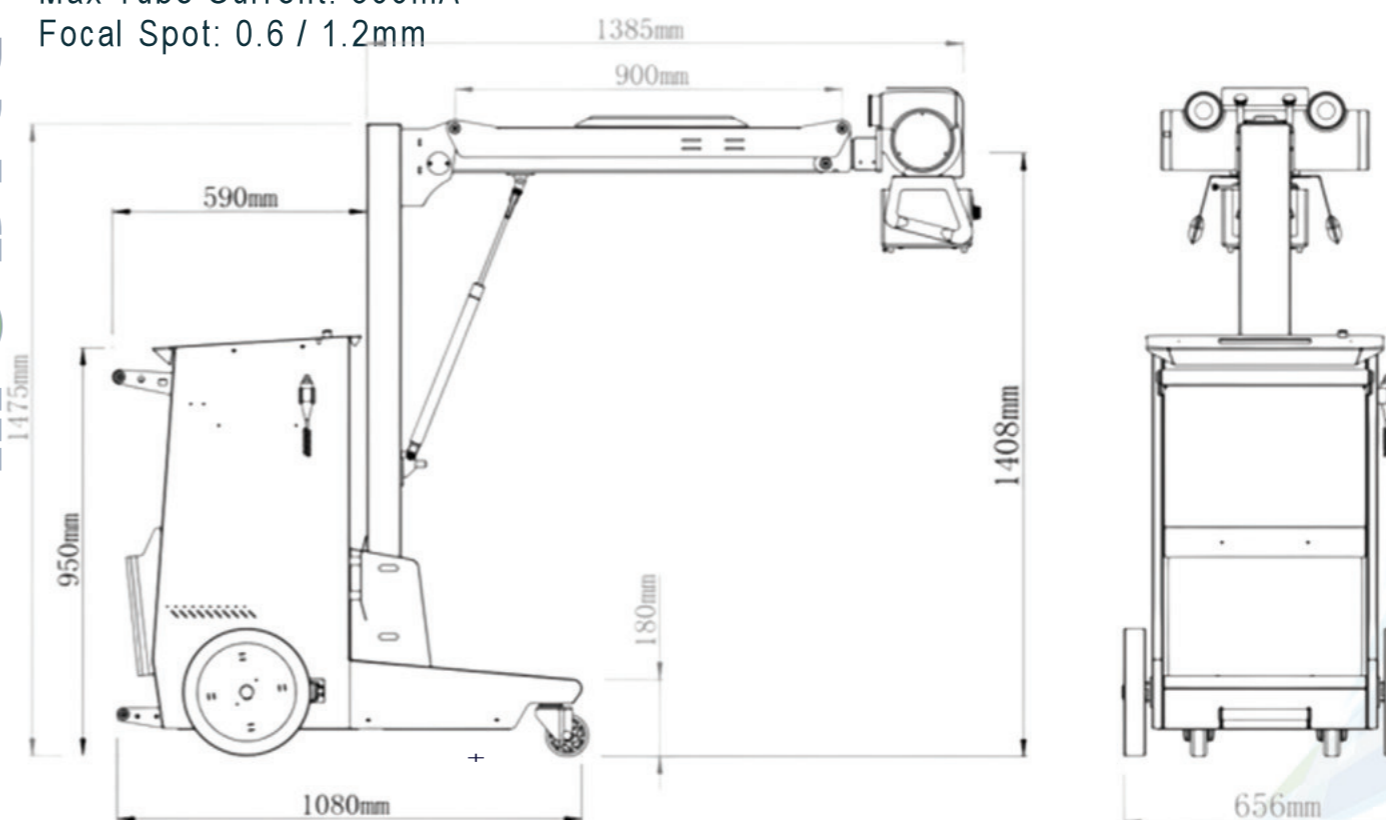
Anode Storage Capacity: 140 KHU

Max Tube Voltage: 125kV

Max Tube Current: 500mA

Focal Spot: 0.6 / 1.2mm

MOBILE XP-300



MOBILE RADIOGRAPHY SYSTEM

